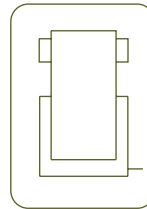


SINGLE ACTING LOCKNUT CYLINDERS, LOAD RETURN

- ✓ Capacities from 30 to 1.085 ton, strokes up to 300 mm.
- ✓ The locknut holds the load mechanically for extended periods of time.
- ✓ Locknut tested under 50% overload.
- ✓ Hydraulic end of stroke overflow port. Red band warning.
- ✓ Body, locknut and saddle black nitrided to improve corrosion and wear resistance.
- ✓ Used for foundation supporting, bridge construction and shipbuilding.
- ✓ For confined spaces, use **STX** models.



S/A LOCKNUT CYLINDERS



Type	STC
Capacity	30 - 1.085 ton
Stroke	50 - 300 mm
Max. pressure	700 bar

STC CYLINDERS



CATS
Optional Tilting Saddles available



P.90

STX
Single Acting Pancake Locknut Cylinders



P.32



AZ3

Coupler 3/8"-18 NPT included



P.86

AP2

Hoses



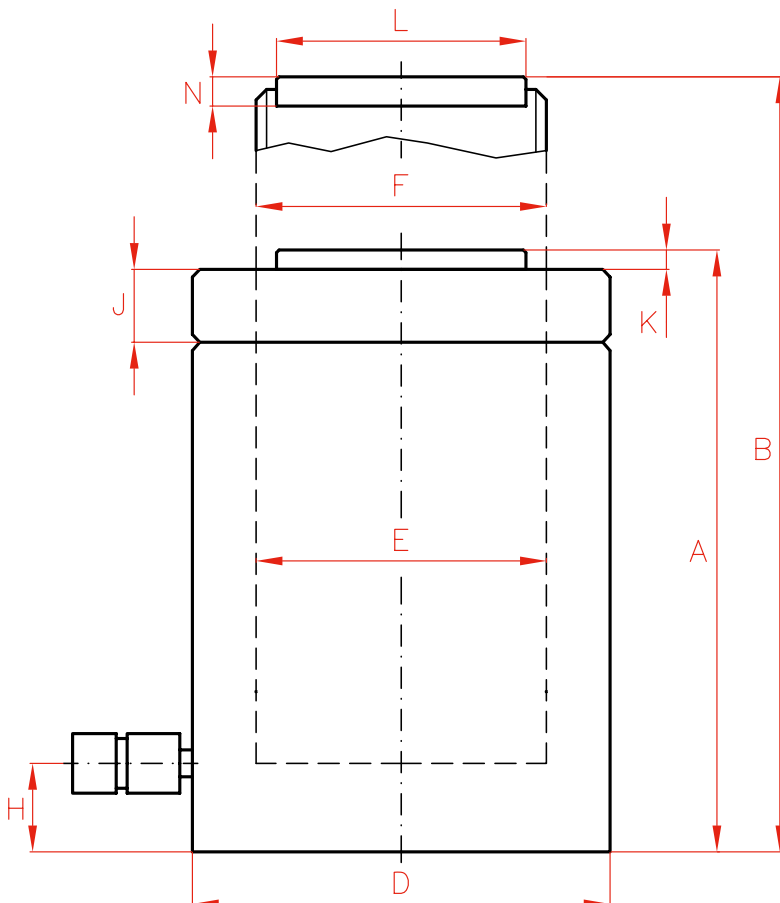
P.84

AV - AY - AVD

Pressure Gauges



P.94



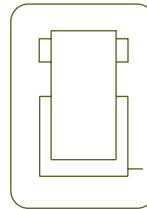
Capacity		Stroke	Model	Oil Cap.	A	
ton	kN	mm	LARZEP	cm ³	mm	
30	303	50	STC03005	221	141	
		100	STC03010	442	191	
		150	STC03015	663	246	
		200	STC03020	884	296	
		250	STC03025	1.104	355	
		300	STC03030	1.325	405	
51	496	50	STC05005	354	153	
		100	STC05010	709	203	
		150	STC05015	1.063	261	
		200	STC05020	1.418	311	
		250	STC05025	1.772	366	
		300	STC05030	2.126	416	
95	929	50	STC10005	664	180	
		100	STC10010	1.327	230	
		150	STC10015	1.991	285	
		200	STC10020	2.655	335	
		250	STC10025	3.318	391	
		300	STC10030	3.982	441	
144	1.470	50	STC14005	1.005	195	
		100	STC14010	2.011	245	
		150	STC14015	3.016	309	
		200	STC14020	4.021	359	
		250	STC14025	5.027	415	
		300	STC14030	6.032	465	



W
Single Acting Hand Pumps



P.66



S/A LOCKNUT CYLINDERS



Type **STC**

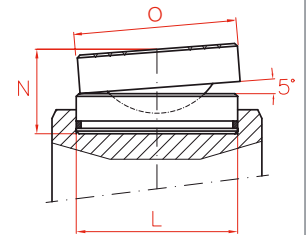
Capacity **30 - 1.085 ton**

Stroke **50 - 300 mm**

STC CYLINDERS

OPTIONAL TILTING SADDLES

Model	L	N	O	Weight
LARZEP	mm	mm	mm	kg
CATS50	50	34,0	71	1,0
CATS100	71	30,0	71	1,5
CATS150	94	39,2	97	3,0



P.90

	B	D	E	F	H	J	K	L	N	Area	Weight	Model	With tilting saddle	
	mm	mm	mm	mm	mm	mm	mm	mm	mm	cm ²	kg	LARZEP	A	Model
	191	100	75	Tr 75x4	20	20	3	50	20	44,2	9	STC03005	155	CATS50
	291	100	75	Tr 75x4	20	20	3	50	20	44,2	12	STC03010	205	CATS50
	396	100	75	Tr 75x4	20	20	3	50	20	44,2	15	STC03015	260	CATS50
	496	100	75	Tr 75x4	20	20	3	50	20	44,2	18	STC03020	310	CATS50
	605	100	75	Tr 75x4	20	20	3	50	20	44,2	22	STC03025	369	CATS50
	705	100	75	Tr 75x4	20	20	3	50	20	44,2	25	STC03030	419	CATS50
	203	125	95	Tr 95x4	25	21	3	50	20	70,9	14	STC05005	167	CATS50
	303	125	95	Tr 95x4	25	21	3	50	20	70,9	19	STC05010	217	CATS50
	411	125	95	Tr 95x4	25	21	3	50	20	70,9	25	STC05015	275	CATS50
	511	125	95	Tr 95x4	25	21	3	50	20	70,9	30	STC05020	325	CATS50
	616	125	95	Tr 95x4	25	21	3	50	20	70,9	35	STC05025	380	CATS50
	716	125	95	Tr 95x4	25	21	3	50	20	70,9	40	STC05030	430	CATS50
	230	170	130	Tr 130x6	30	31	3	71,5	20	132,7	31	STC10005	190	CATS100
	330	170	130	Tr 130x6	30	31	3	71,5	20	132,7	40	STC10010	240	CATS100
	435	170	130	Tr 130x6	30	31	3	71,5	20	132,7	50	STC10015	295	CATS100
	535	170	130	Tr 130x6	30	31	3	71,5	20	132,7	59	STC10020	345	CATS100
	641	170	130	Tr 130x6	30	31	3	71,5	20	132,7	69	STC10025	401	CATS100
	741	170	130	Tr 130x6	30	31	3	71,5	20	132,7	78	STC10030	451	CATS100
	245	210	160	Tr 160x6	40	38	3	94	20	201,1	52	STC14005	214	CATS150
	345	210	160	Tr 160x6	40	38	3	94	20	201,1	65	STC14010	264	CATS150
	459	210	160	Tr 160x6	40	38	3	94	20	201,1	83	STC14015	328	CATS150
	559	210	160	Tr 160x6	40	38	3	94	20	201,1	96	STC14020	378	CATS150
	665	210	160	Tr 160x6	40	38	3	94	20	201,1	111	STC14025	434	CATS150
	765	210	160	Tr 160x6	40	38	3	94	20	201,1	125	STC14030	484	CATS150

Z12107
Air Hydraulic Pump



P.70

HBM / HBE
Powerpack

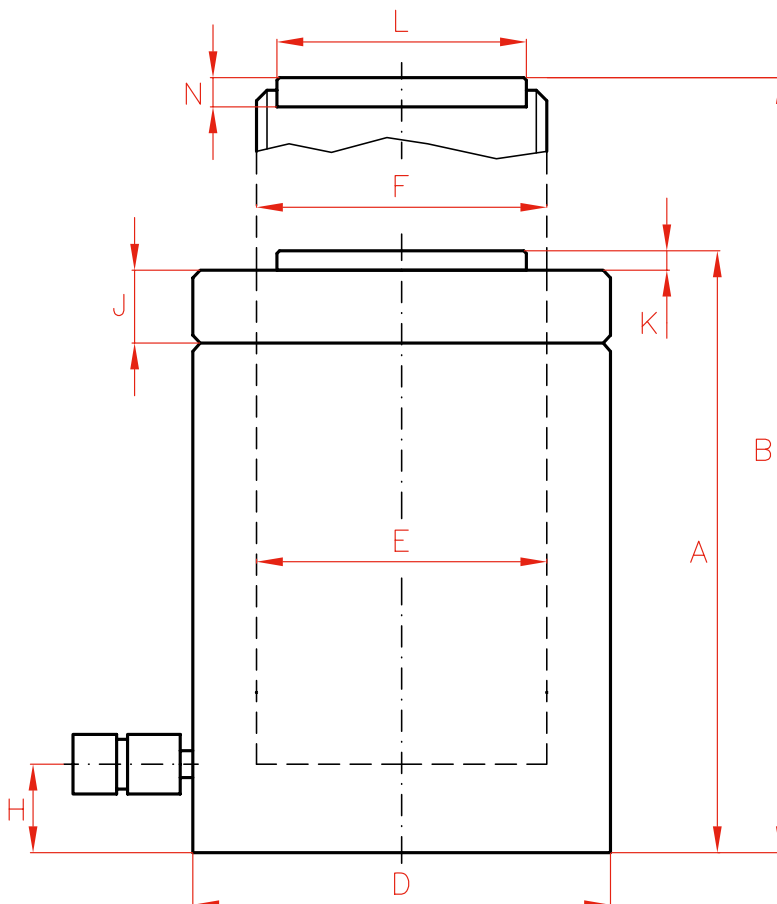


P.72

AP2
Hoses

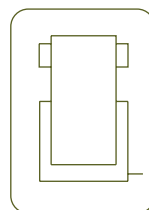


P.84



Capacity		Stroke	Model	Oil Cap.	A
ton	kN	mm	LARZEP	cm ³	mm
224	2.199	150	STC22015	4.712	328
		300	STC22030	9.425	488
310	3.036	150	STC30015	6.506	351
		300	STC30030	13.012	511
409	4.008	150	STC40015	8.588	370
		300	STC40030	17.177	530
552	5.114	150	STC50015	10.959	395
		300	STC50030	21.918	555
611	5.987	50	STC60005	4.276	311
		150	STC60015	12.829	421
		300	STC60030	25.659	581
831	8.149	50	STC80005	5.821	348
		150	STC80015	17.462	458
		300	STC80030	34.925	618
1.085	10.644	50	STC100005	7.603	392
		150	STC100015	22.808	502
		300	STC100030	45.616	673





Type **STC**

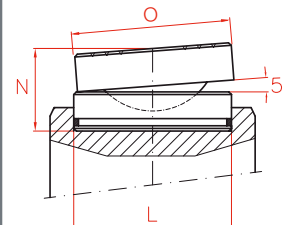
Capacity **30 - 1.085 ton**

Stroke **50 - 300 mm**

Max. pressure **700 bar**

OPTIONAL TILTING SADDLES

Model	L	N	O	Weight
LARZEP	mm	mm	mm	kg
CATS200	113	43,0	126	4,4
CATS300	140	68,5	175	10,3
CATS400	159	78,0	210	17,0
CATS500	179	77,0	230	20,0
CATS600	194	81,5	250	24,0
CATS800	224	86,5	275	32,0
CATS1000	249	105,5	300	46,0



P.90

	B	D	E	F	H	J	K	L	N	Area	Weight	Model	With tilting saddle	
	mm	mm	mm	mm	mm	mm	mm	mm	mm	cm ²	kg	LARZEP	A	Model
	478	260	200	Tr 200 x 6	50	40	3	113	25	314,2	134	STC22015	346	CATS200
	788	260	200	Tr 200 x 6	50	40	3	113	25	314,2	201	STC22030	506	CATS200
	501	305	235	Tr 235 x 6	55	45	5	140	30	433,7	197	STC30015	390	CATS300
	811	305	235	Tr 235 x 6	55	45	5	140	30	433,7	289	STC30030	550	CATS300
	520	350	270	Tr 270 x 6	65	50	5	159	30	572,6	274	STC40015	418	CATS400
	830	350	270	Tr 270 x 6	65	50	5	159	30	572,6	395	STC40030	578	CATS400
	545	400	305	Tr 305 x 6	75	60	5	179	30	730,6	383	STC50015	442	CATS500
	855	400	305	Tr 305 x 6	75	60	5	179	30	730,6	540	STC50030	602	CATS500
	361	430	330	Tr 330 x 6	80	80	5	194	30	855,3	347	STC60005	363	CATS600
	571	430	330	Tr 330 x 6	80	80	5	194	30	855,3	472	STC60015	473	CATS600
	881	430	330	Tr 330 x 6	80	80	5	194	30	855,3	654	STC60030	633	CATS600
	398	505	385	Tr 385 x 6	95	90	5	224	30	1.164,2	537	STC80005	405	CATS800
	608	505	385	Tr 385 x 6	95	90	5	224	30	1.164,2	709	STC80015	515	CATS800
	918	505	385	Tr 385 x 6	95	90	5	224	30	1.164,2	959	STC80030	675	CATS800
	442	570	440	Tr 440 x 6	105	105	5	249	30	1.520,5	772	STC100005	468	CATS1000
	652	570	440	Tr 440 x 6	105	105	5	249	30	1.520,5	991	STC100015	578	CATS1000
	973	570	440	Tr 440 x 6	105	105	5	249	30	1.520,5	1.332	STC100030	749	CATS1000