

SINGLE ACTING HIGH TONNAGE CYLINDERS, LOAD RETURN



- ✓ Capacities from 144 to 1.085 ton, strokes up to 300 mm.
- ✓ Load return. For weighing, lifting and positioning applications in Civil Engineering.
- ✓ Hydraulic end of stroke overflow port. Without stop ring. Red band warning.
For mechanical stop ring see **DDC** double acting models.
- ✓ For confined spaces and loads up to 150 ton, see **SX** and **SP** models.
- ✓ Black nitrided body, up to 224 ton.

SX - SMX
Single Acting Low Profile Cylinders



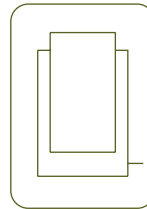
P.24

SP - SMP
Low Height Single Acting Cylinders



P.22





S/A LOAD RETURN CYLINDERS



Type	SSC
Capacity	144 - 1.085 ton
Stroke	50 - 300 mm
Max. pressure	700 bar

SSC CYLINDERS



DDC
Double Acting High Tonnage Cylinders



P.44

HBM / HBE
Powerpacks



P.72



HBM / HBE
Powerpacks



P.72

Z22107
Air Hydraulic Pumps

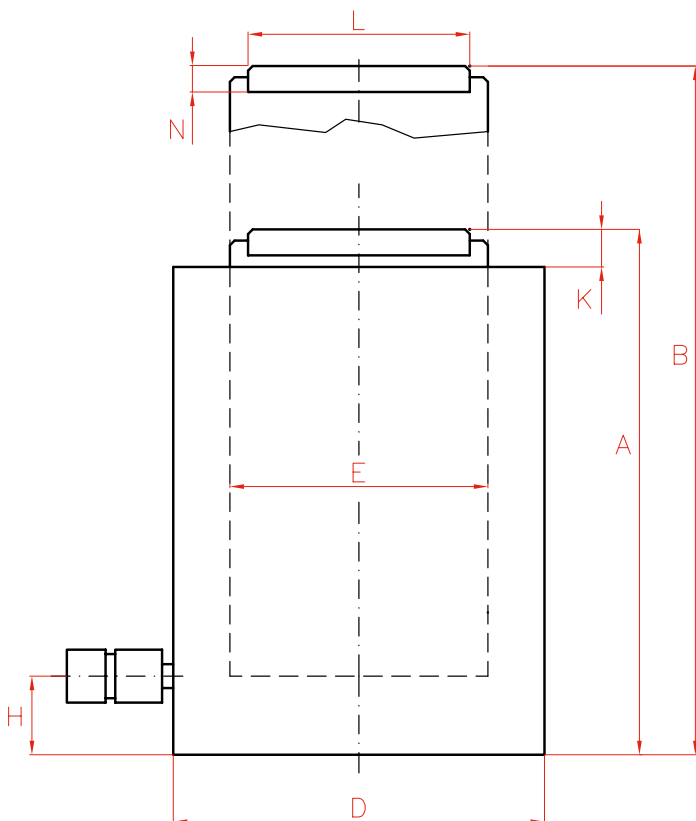


P.70

W
Single Acting Hand Pumps



P.66

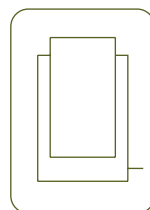
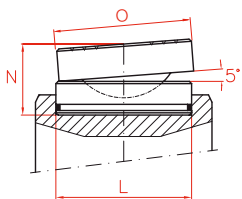


Capacity		Stroke mm	Model LARZEP	Oil Cap. cm ³	A mm
ton	kN				
144	1.407	50	SSC14005	1.005	159
		150	SSC14015	3.016	275
		300	SSC14030	6.032	430
224	2.199	50	SSC22005	1.571	180
		150	SSC22015	4.712	291
		300	SSC22030	9.425	451
310	3.036	50	SSC30005	2.169	193
		150	SSC30015	6.506	309
		300	SSC30030	13.012	469
409	4.008	50	SSC40005	2.863	215
		150	SSC40015	8.588	325
		300	SSC40030	17.177	485
522	5.114	50	SSC50005	3.653	225
		150	SSC50015	10.959	335
		300	SSC50030	21.918	495
611	5.987	50	SSC60005	4.276	236
		150	SSC60015	12.829	346
		300	SSC60030	25.659	506
831	8.149	50	SSC80005	5.821	263
		150	SSC80015	17.462	373
		300	SSC80030	34.925	533
1.085	10.644	50	SSC100005	7.603	292
		150	SSC100015	22.808	402
		300	SSC100030	45.616	573



OPTIONAL TILTING SADDLES

Model	L	N	O	Weight
LARZEP	mm	mm	mm	kg
CATS150	94	39,2	97	3,0
CATS200	113	43,0	126	4,4
CATS300	140	68,5	175	10,3
CATS400	159	78,0	210	17,0
CATS500	179	77,0	230	20,0
CATS600	194	81,5	250	24,0
CATS800	224	86,5	275	32,0
CATS1000	249	105,5	300	46,0



P.90



Type

SSC

Capacity

144 - 1.085 ton

Stroke

50 - 300 mm

Max. pressure

700 bar

	B	D	E	H	K	L	N	Area	Weight	Model	With tilting saddle	
	mm	mm	mm	mm	mm	mm	mm	cm ²	kg	LARZEP	A	Model
	209	210	160	40	6	94	20	201,1	43	SSC14005	178	CATS150
	425	210	160	40	6	94	20	201,1	74	SSC14015	294	CATS150
	730	210	160	40	6	94	20	201,1	116	SSC14030	449	CATS150
	230	260	200	50	6	113	20	314,2	75	SSC22005	203	CATS200
	441	260	200	50	6	113	20	314,2	120	SSC22015	314	CATS200
	751	260	200	50	6	113	20	314,2	187	SSC22030	474	CATS200
	243	305	235	55	8	140	30	433,7	110	SSC30005	232	CATS300
	459	305	235	55	8	140	30	433,7	176	SSC30015	348	CATS300
	769	305	235	55	8	140	30	433,7	267	SSC30030	508	CATS300
	265	350	270	65	10	159	30	572,6	161	SSC40005	263	CATS400
	475	350	270	65	10	159	30	572,6	244	SSC40015	373	CATS400
	785	350	270	65	10	159	30	572,6	364	SSC40030	533	CATS400
	275	400	305	70	10	179	30	730,6	221	SSC50005	272	CATS500
	485	400	305	70	10	179	30	730,6	329	SSC50015	382	CATS500
	795	400	305	70	10	179	30	730,6	486	SSC50030	542	CATS500
	286	430	330	80	10	194	30	855,3	268	SSC60005	288	CATS600
	496	430	330	80	10	194	30	855,3	393	SSC60015	398	CATS600
	806	430	330	80	10	194	30	855,3	574	SSC60030	558	CATS600
	313	505	385	95	10	224	30	1.164,2	411	SSC80005	320	CATS800
	523	505	385	95	10	224	30	1.164,2	583	SSC80015	430	CATS800
	833	505	385	95	10	224	30	1.164,2	834	SSC80030	590	CATS800
	342	570	440	105	10	249	30	1.520,5	582	SSC100005	368	CATS1000
	552	570	440	105	10	249	30	1.520,5	801	SSC100015	478	CATS1000
	873	570	440	105	10	249	30	1.520,5	1.142	SSC100030	649	CATS1000