

SINGLE ACTING HOLLOW PISTON CYLINDERS, SPRING RETURN



- ✓ Capacities from 12 to 100 ton, strokes up to 150 mm.
 - ✓ Spring return, hollow piston.
 - ✓ For push and pull applications: Tensioning cables and bolts, pulling sleeves and bearings.
 - ✓ Body and saddle black nitrided to improve corrosion and wear resistance, except 12 ton models.
 - ✓ Hollow hard chrome-plated piston.
 - ✓ Collar threads, piston end thread and base holes for easy fixing.
 - ✓ Compatible with our complete puller range.
 - ✓ Hollow plain saddle as standard.
- Optional solid or threaded saddles available. Page 90.
- ✓ Hollow cylinders also available in double acting DH and aluminium single and double acting SAH and DAH.

Capacity		Stroke	Model	Oil Cap.	A	B	C
ton	kN	mm	LARZEP	cm ³	mm	mm	mm
12	121	40	SH01204	70	124	164	20,5
		76	SH01208	134	176	252	20,5
		150	SH01215	264	300	450	20,5
22	217	50	SH02205	158	165	215	27
		76	SH02208	240	203	279	27
		150	SH02215	474	318	468	27
30	302	64	SH03006	281	197	261	34
		150	SH03015	660	322	472	34
60	578	76	SH06008	640	223	299	56
		153	SH06015	1.288	315	468	56
100	1.019	80	SH10008	1.187	282	362	81
		150	SH10015	2.225	367	517	81

AZ04 & AZ05
Optional Saddles available
Tilting or hollow



P.90



HOLLOW PISTON CYLINDERS



Type	SH
Capacity	12 - 100 ton
Stroke	40 - 150 mm
Max. pressure	700 bar

SAH
Lightweight Aluminium
Hollow Piston Cylinders

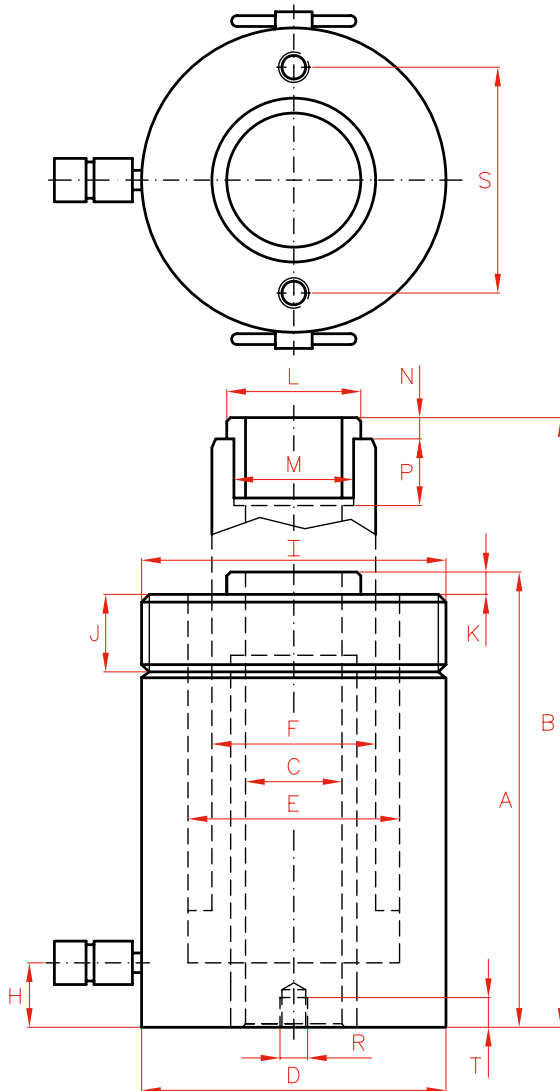
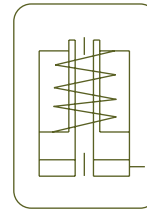


P.18

DH
Double Acting Hollow Piston Cylinders



P.52



	D	E	F	H	I	J	K	L	M	N	P	R	S	T	Area	Weight	Model
	mm	mm	mm	mm	UN	mm	mm	mm	UN	mm	mm	UN	mm	mm	cm ²	kg	LARZEP
	75	55	40	19	2 3/4"-16	30	3	34	M28 x 1,5	7	18	5/16"-18	51	12	18	3,4	SH01204
	75	55	40	19	2 3/4"-16	30	3	34	M28 x 1,5	7	18	5/16"-18	51	12	18	4,6	SH01208
	75	55	40	19	2 3/4"-16	30	3	34	M28 x 1,5	7	18	5/16"-18	51	12	18	7,6	SH01215
	105	75	56	23	3 7/8"-12	38	3	48	1 9/16"-16	8	20	3/8"-16	83	15	32	8,6	SH02205
	105	75	56	23	3 7/8"-12	38	3	48	1 9/16"-16	8	20	3/8"-16	83	15	32	11,5	SH02208
	105	75	56	23	3 7/8"-12	38	3	48	1 9/16"-16	8	20	3/8"-16	83	15	32	16,4	SH02215
	120	90	68	26	4 1/2"-12	42	4	55	1 13/16"-16	9	22	3/8"-16	92	17	44	13,2	SH03006
	120	90	68	26	4 1/2"-12	42	4	55	1 13/16"-16	9	22	3/8"-16	92	17	44	18,5	SH03015
	160	125	95	31	6 1/4"-12	48	4	80	2 3/4"-16	12	22	1/2"-13	130	14	84	26,0	SH06008
	160	125	95	31	6 1/4"-12	48	4	80	2 3/4"-16	12	22	1/2"-13	130	14	84	38,0	SH06015
	213	170	130	37	8 3/8"-12	60	5	116	4"-16	13	25	5/8"-11	178	19	148	58,0	SH10008
	213	170	130	37	8 3/8"-12	60	5	116	4"-16	13	25	5/8"-11	178	19	148	79,0	SH10015