

## AIR DRIVEN HYDROTEST PUMPS



- ✓ 10 Models Available, from 70 bar to 2.900 bar.
- ✓ Engineered and designed for easy operation.
- ✓ Compact and lightweight steel frame for full protection and handling.
- ✓ Fully integrated, protected and calibrated pressure gauge.
- ✓ Clearly labelled controls for improved safety.
- ✓ Supplied with air inlet connector, air filter, air pressure regulator, air lubricator, air pressure gauge, air pressure limit valve, pump on/off control, oil pressure gauge.
- ✓ All pumps can work with water or oil.
- ✓ All pumps supplied complete with a full test certificate as standard.
- ✓ High pressure fittings and any length of high pressure hose available from stock.

Hydraulic Pressure Gauge: Dual scale bar/psi

Oil / Water Reservoir: 7 litres

Working Air Pressure: 1,7 to 6,9 bar

Air Inlet Port: 1/2" NPTF Female

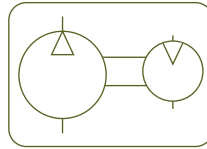
Air Consumption: 0,79 m<sup>3</sup>/min

Sound Level: 90 dBA

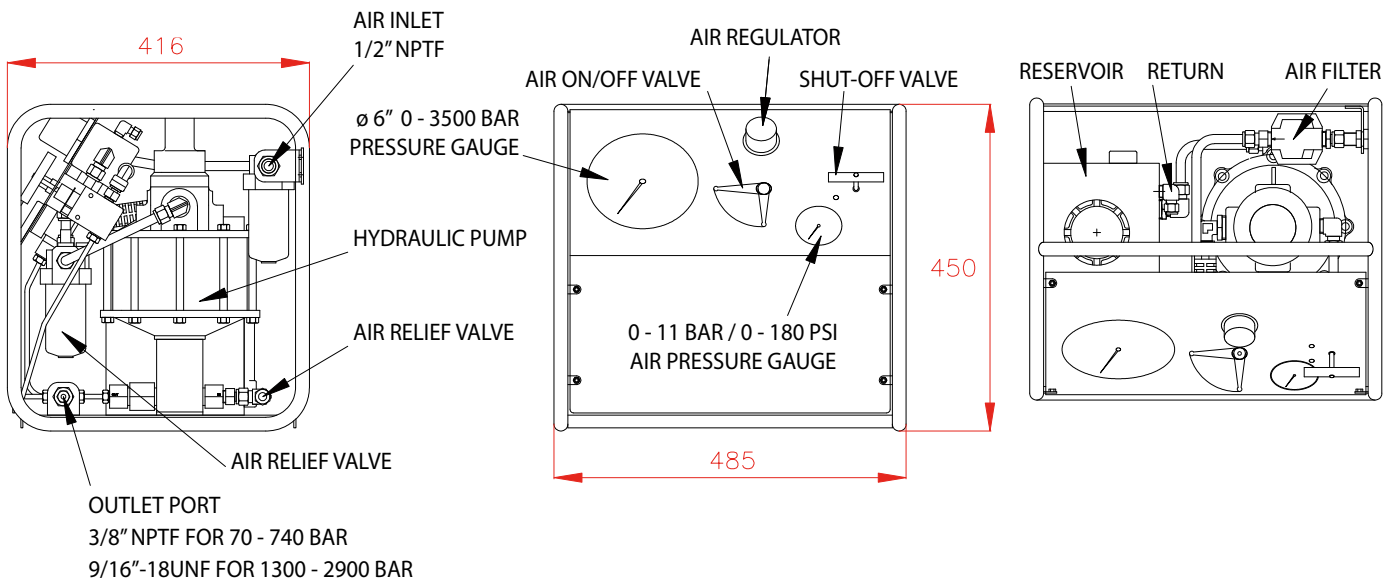
Weight: 30 kg



HYDROTEST AIR PUMPS



Type	<b>HAP</b>
Capacity	7 litres
Max. pressure	70 - 2.900 bar



HYDROTEST PUMPS

Hydrotest Pump	Maximum Hydraulic Pressure (bar)			Flow (l/min)			Outlet Port
	Air 6.9 bar	Air 5.1 bar	Air 4.1 bar	20% Max. P	50% Max. P	80% Max. P	
LARZEP							Female
HAP0070	70	55	40	16,2	11,0	3,7	3/8" NPT
HAP0130	130	100	80	8,5	6,0	3,9	3/8" NPT
HAP0180	180	150	100	6,1	4,7	2,6	3/8" NPT
HAP0250	250	200	150	4,1	3,1	2,0	3/8" NPT
HAP0400	400	320	240	2,6	1,8	1,2	3/8" NPT
HAP0740	740	600	440	1,2	0,9	0,6	3/8" NPT
HAP1300	1.300	1.000	770	0,65	0,5	0,3	9/16"-18UNF
HAP1900	1.900	1.500	1.100	0,4	0,3	0,2	9/16"-18UNF
HAP2900	2.900	2.300	1.800	0,25	0,2	0,1	9/16"-18UNF