

PRESSES

PRESSES



Type **EC - EE - EM - EZ**

Capacity **10 - 60 ton**

Max. pressure **700 bar**



- ✓ Extremely sturdy frames, made from welded steel profiles, available as bench mount (EC series) and floor mounted H-Frame models.
- ✓ Models are available powered by hand pump, air/hydraulic pump or electric/hydraulic pump. CE versions are fitted with remote motor control.
- ✓ Table height is adjustable on floor mounted models, manually on 30 ton, winch on 60 ton.
- ✓ V-blocks and a pressure gauge reading in tons are supplied as standard on all models.
- ✓ The hydraulic cylinder on the ECM and ECZ bench presses can be easily removed and used in other applications.
- ✓ The EM models incorporate a two-speed hand pump for quick approach of the piston to the work piece.



V-blocks and pressure gauge reading in tons are supplied as standard on all models.

EC-EE-EM-EZ TOOLS

| Capacity | Frame | | E | H max. | Stroke | Model | Pump Type | | | |
|----------|-------------|-------------|-----|--------|--------|------------|-----------|----------|-----|----------|
| ton | Bench Mount | Floor Mount | mm | mm | mm | LARZEP | Hand | Electric | Air | Model |
| 10 | * | - | 350 | 376 | 155 | ECM01115 | * | - | - | W10607 |
| | * | - | 350 | 376 | 155 | ECZ01115 | - | - | * | Z12107 |
| 20 | * | - | 500 | 376 | 159 | ECM02015 | * | - | - | W10607 |
| | * | - | 500 | 376 | 159 | ECZ02015 | - | - | * | Z12107 |
| 30 | - | * | 500 | 930 | 150 | EM03015 | * | - | - | W21807 |
| | - | * | 500 | 930 | 150 | EZ03015 | - | - | * | Z12107 |
| | - | * | 500 | 930 | 160 | EE03116 | - | * | - | HBM7244 |
| | - | * | 500 | 930 | 160 | EE03116-CE | - | * | - | HBM7244B |
| 60 | - | * | 860 | 940 | 180 | EM06018 | * | - | - | W21807 |
| | - | * | 860 | 940 | 180 | EZ06018 | - | - | * | Z12107 |
| | - | * | 860 | 940 | 180 | EE06018 | - | * | - | HBM7244 |
| | - | * | 860 | 940 | 180 | EE06018-CE | - | * | - | HBM7244B |

| Model | A | B | C | D | E | F | H min. | H max. | I | K | M | N | O |
|------------|-------|-------|-----|-----|-----|-----|--------|--------|-----|-----|-----|-----|----|
| LARZEP | mm | mm | mm | mm | mm | mm | mm | mm | mm | mm | mm | mm | mm |
| ECM01115 | 819 | 440 | 220 | 80 | 350 | 170 | - | 376 | 80 | - | 400 | 198 | 12 |
| ECZ01115 | 819 | 440 | 220 | 80 | 350 | 170 | - | 376 | 80 | - | 400 | 198 | 12 |
| ECM02015 | 903 | 610 | 325 | 120 | 500 | 240 | - | 376 | 140 | - | 570 | 285 | 12 |
| ECZ02015 | 903 | 610 | 325 | 120 | 500 | 240 | - | 376 | 140 | - | 570 | 285 | 12 |
| EM03015 | 1.780 | 698 | 650 | 125 | 500 | 245 | 73 | 930 | 140 | 120 | 280 | 150 | 27 |
| EZ03015 | 1.780 | 698 | 650 | 125 | 500 | 245 | 73 | 930 | 140 | - | 280 | 150 | 27 |
| EE03116 | 1.780 | 698 | 650 | 125 | 500 | 245 | 73 | 930 | 140 | 275 | 280 | 150 | 27 |
| EE03116-CE | 1.780 | 698 | 650 | 125 | 500 | 245 | 73 | 930 | 140 | 275 | 280 | 150 | 27 |
| EM06018 | 1.960 | 1.150 | 800 | 205 | 860 | 385 | 110 | 940 | 260 | 150 | 237 | 165 | 41 |
| EZ06018 | 1.960 | 1.150 | 800 | 205 | 860 | 385 | 110 | 940 | 260 | - | 237 | 165 | 41 |
| EE06018 | 1.960 | 1.150 | 800 | 205 | 860 | 385 | 110 | 940 | 260 | 275 | 237 | 165 | 41 |
| EE06018-CE | 1.960 | 1.150 | 800 | 205 | 860 | 385 | 110 | 940 | 260 | 275 | 237 | 165 | 41 |





Type **EC - EE - EM - EZ**

Capacity **10 - 60 ton**

Max. pressure **700 bar**

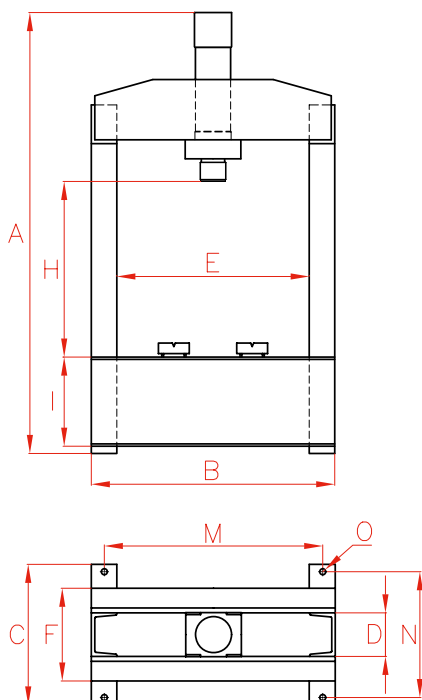
Advance speed
 * Hand Pump (mm/stroke)
 * Electric Pump (mm/sec.)
 * Air Pump (mm/sec.)

| Cylinder type | | | Oil Cap. | Advance speed * | | Weight | Model |
|---------------|-----|---------|-----------------|-----------------|------|--------|-------------------|
| S/A | D/A | Model | cm ³ | Fast | Slow | kg | LARZEP |
| * | - | SM01015 | 247 | - | 1,7 | 41 | ECM01115 |
| * | - | SM01015 | 247 | - | 1,8 | 42 | ECZ01115 |
| * | - | SM02315 | 528 | 5,5 | 0,9 | 85 | ECM02015 |
| * | - | SM02315 | 528 | - | 1,2 | 90 | ECZ02015 |
| * | - | SM03015 | 663 | 2,9 | 0,6 | 120 | EM03015 |
| * | - | SM03015 | 663 | - | 0,6 | 121 | EZ03015 |
| - | * | D03016 | 707 | 11,3 | 2,1 | 135 | EE03116 |
| - | * | D03016 | 707 | 11,3 | 2,1 | 140 | EE03116-CE |
| * | - | SM06018 | 1.558 | 1,5 | 0,2 | 455 | EM06018 |
| * | - | SM06018 | 1.558 | - | 0,4 | 456 | EZ06018 |
| - | * | D06018 | 1.558 | 5,7 | 1,0 | 480 | EE06018 |
| - | * | D06018 | 1.558 | 5,7 | 1,0 | 485 | EE06018-CE |



V-blocks and pressure gauge reading in tons are supplied as standard on all models.

10 and 20 ton Presses



30 and 60 ton Presses

