

DOUBLE ACTING PRODUCTION CYLINDERS



- ✓ Capacities from 4 to 23 ton, strokes up to 260 mm.
- ✓ For carrying out push and pull operations.
- ✓ Black nitrided to improve corrosion resistance.
- ✓ Designed for long life in production applications.
- ✓ Large range of mounting accessories: flanges, mounting blocks, nuts and clevis eyes.

Capacity ton	Stroke mm	Model LARZEP	Capacity (kN)		Area (cm ²)		Oil Cap. cm ³	A mm
			Push	Pull	Push	Pull		
4	28	DM00403	34	12	5	2	14	186
	79	DM00408	34	12	5	2	39	237
	155	DM00416	34	12	5	2	76	313
8	28	DM00803	86	44	13	6	35	223
	79	DM00808	86	44	13	6	99	274
	155	DM00816	86	44	13	6	195	350
	257	DM00826	86	44	13	6	323	452
15	159	DM01516	139	73	20	11	323	389
	260	DM01526	139	73	20	11	527	490
23	159	DM02316	228	93	33	14	527	425
	260	DM02326	228	93	33	14	863	526



HBM / HBE
Powerpacks



P.72

Z12107
Air Hydraulic Pumps



P.70

D/A PRODUCTION CYLINDERS



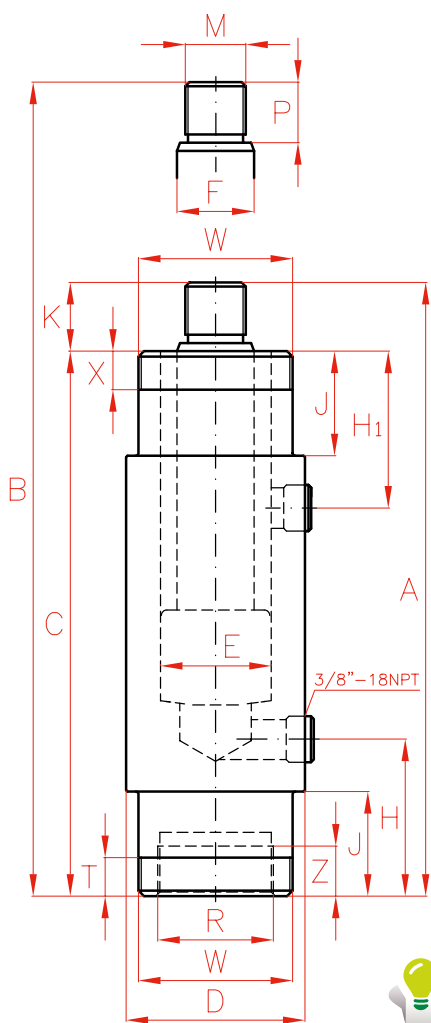
Type **DM**

Capacity **4 - 23 ton**

Stroke **28 - 260 mm**

Max. pressure **700 bar**

DM CYLINDERS



WARNING

DM cylinders are not equipped with safety valve to prevent accidental over-pressure.

NOTE: 4 ton cylinders have 1/4" BSP thread for the couplers.

DM-RB, DM-RP, DM-RC, DM-RS
Mounting Accessories for DM cylinders



P.58

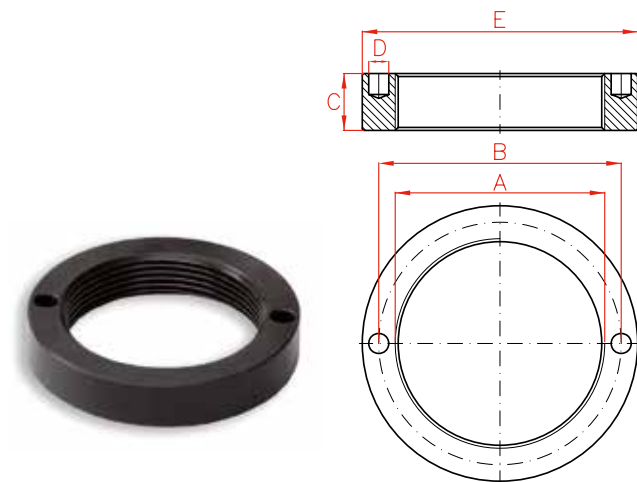
AV - AY - AVD
Pressure Gauges



P.94

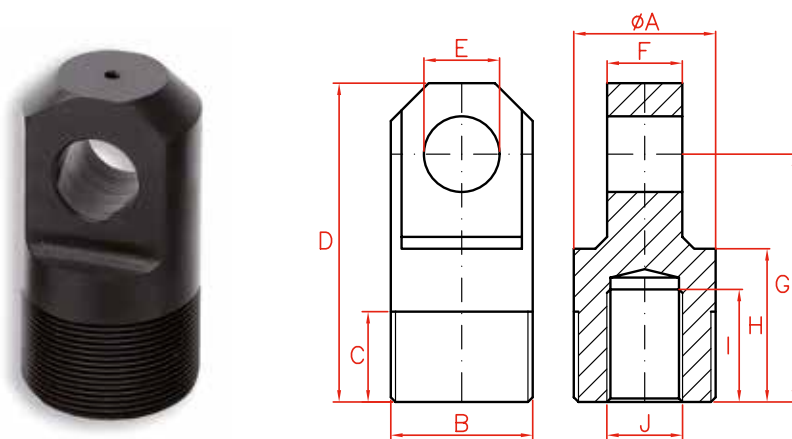
	B	C	D	E	F	H	H1	K	J	M	P	R	W	X	Z	Weight	Model
	mm	mm	mm	mm	mm	mm	mm	mm	mm	mm	mm	mm	mm	mm	mm	kg	LARZEP
	214	162	51	25	20	47	61	24	29	M16 x 1,5	19	M30 x 1,5	M42 x 1,5	11	9	2,0	DM00403
	316	213	51	25	20	47	61	24	29	M16 x 1,5	19	M30 x 1,5	M42 x 1,5	11	9	2,9	DM00408
	468	289	51	25	20	47	61	24	29	M16 x 1,5	19	M30 x 1,5	M42 x 1,5	11	9	3,9	DM00416
	251	198	65	40	28	75	57	25	38	M22 x 1,5	22	M42 x 1,5	M56 x 2	14	14	4,2	DM00803
	353	249	65	40	28	75	57	25	38	M22 x 1,5	22	M42 x 1,5	M56 x 2	14	14	5,3	DM00808
	505	325	65	40	28	75	57	25	38	M22 x 1,5	22	M42 x 1,5	M56 x 2	14	14	6,8	DM00816
	709	427	65	40	28	75	57	25	38	M22 x 1,5	22	M42 x 1,5	M56 x 2	14	14	9,0	DM00826
	548	359	80	51	35	73	95	30	54	M30 x 1,5	28	M56 x 2	M70 x 2	22	24	9,0	DM01516
	750	460	80	51	35	73	95	30	54	M30 x 1,5	28	M56 x 2	M70 x 2	22	24	11,7	DM01526
	584	398	92	65	50	89	110	27	70	M42 x 1,5	25	M70 x 2	M85 x 2	29	26	17,0	DM02316
	786	499	92	65	50	89	110	27	70	M42 x 1,5	25	M70 x 2	M85 x 2	29	26	21,0	DM02326

ATTACHMENTS FOR DM CYLINDERS



Nuts

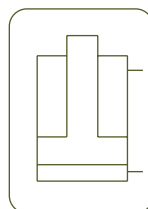
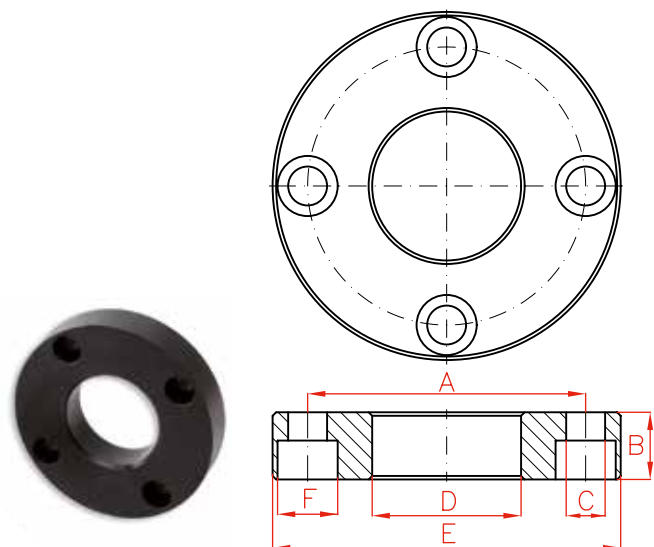
Model	A	B	C	D	E	Weight
LARZEP	mm	mm	mm	mm	mm	kg
DM004RB	M42 x 1,5	49,5	9,5	6,3	57	0,1
DM008RB	M56 x 2	65,5	12,7	6,7	75	0,1
DM015RB	M70 x 2	81,0	19,0	6,7	92	0,4
DM023RB	M85 x 2	96,5	25,4	6,7	108	0,7



Clevis Eyes

Model	A	B	C	D	E	F	G	H	I	J	Weight
LARZEP	mm	mm	mm	mm	mm	mm	mm	mm	mm	mm	kg
DM004RP	30	M30 x 1,5	19,1	67,4	16	15,9	52,4	32,4	23,8	M16 x 1,5	0,2
DM008RP	42	M42 x 1,5	25,4	78,1	20	25,4	57,1	37,1	23,8	M22 x 1,5	0,6
DM015RP	56	M56 x 2	25,4	105,8	25	31,9	77,8	52,8	30,2	M30 x 1,5	1,3
DM023RP	70	M70 x 2	25,4	112,8	32	38,2	77,8	50,3	27,0	M42 x 1,5	2,1

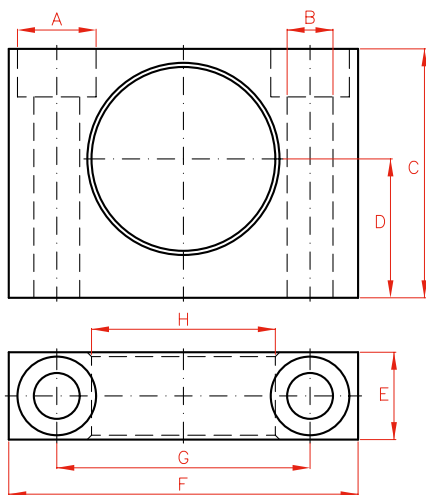




To use these attachments the nut DM_RB is required.

Flanges

Model	A	B	C	D	E	F	Weight
LARZEP	mm	mm	mm	mm	mm	mm	kg
DM004RS	78,6	19,0	11,0	42,1	98,4	17	1,0
DM008RS	98,4	25,4	11,0	56,1	120,5	17	2,1
DM015RS	115,9	35,0	13,4	70,1	143,0	18	3,8
DM023RS	135,7	44,5	17,0	85,1	165,0	22	6,0



To use these attachments the nut DM_RB is required.

Mounting Blocks

Model	A	B	C	D	E	F	G	H	Weight
LARZEP	mm	mm	mm	mm	mm	mm	mm	mm	kg
DM004RC	18	10,5	57,0	31,8	20	80	58,0	42,1	0,4
DM008RC	21	13,5	82,5	44,5	25	105	78,0	56,1	1,2
DM015RC	28	20,0	100,0	52,4	35	127	95,2	70,1	2,9
DM023RC	36	26,5	125,0	63,5	45	159	117,5	85,1	4,5



Type **DM**

Capacity **4 - 23 ton**

Stroke **28 - 260 mm**

Max. pressure **700 bar**

AZ3
Coupler 3/8"-18 NPT



P.86

AP2
Hoses



P.84