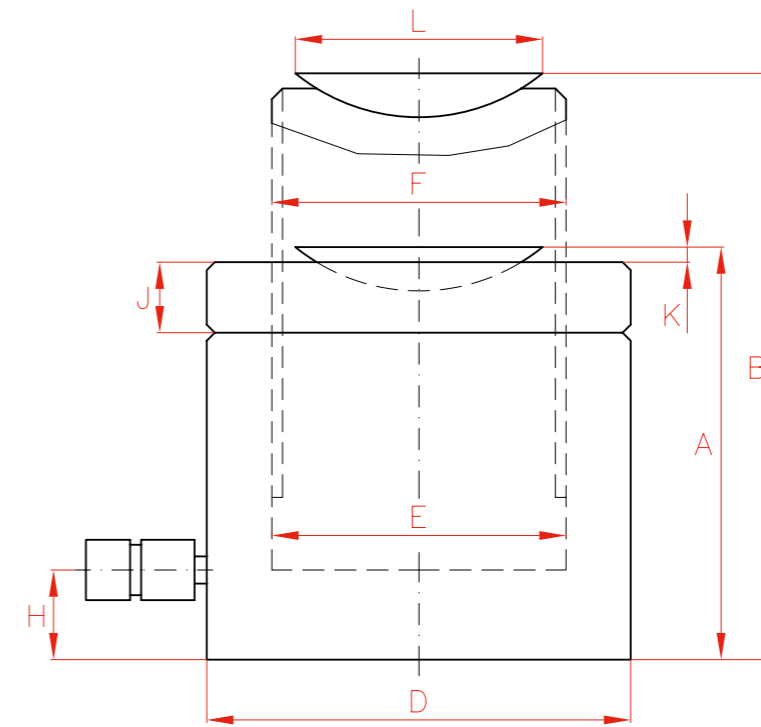


SINGLE ACTING PANCAKE CYLINDERS, LOCK NUT, TILTING SADDLE, LOAD RETURN



- ✓ Capacity from 50 to 500 Tn, stroke up to 50 mm.
- ✓ Load return. Lock nut tested under 50% overload.
- ✓ The lock nut holds the load mechanically for extended periods of time.
- ✓ Hydraulic end of stroke overflow port. Without stop ring. Red band warning.
- ✓ Built-in tilting saddle to improve side load resistance.
- ✓ Body, nut and saddle black nitrided to improve corrosion and wear resistance.
- ✓ Used in confined spaces.



S/A LOCK NUT CYLINDERS



Type	STX
Capacity	50 - 500 Tn
Stroke	45 - 50 mm
Max. pressure	700 bar

STX
Built-in Tilting Saddle



SX - SMX
Single Acting Low Profile Cylinders,
Load or Spring Return



Capacity		Stroke	Model	Oil Cap.	A	B	D	E	F	H	J	K	L	Area	Weight
Tn	kN	mm	LARZEP	cm ³	mm	mm	mm	mm	mm	mm	mm	mm	mm	cm ²	kg
51	496	50	STX05004	355	125	175	125	95	Tr 95x4	20	21	6	92	70,8	11
95	929	45	STX10004	597	137	182	165	130	Tr 130x6	23	31	8	126	132,7	22
144	1.407	45	STX15004	905	148	193	205	160	Tr 160x6	28	38	9	148	201,1	39
224	2.199	45	STX23004	1.413	155	200	255	200	Tr 200x6	32	40	10	157	314,2	62
310	3.036	45	STX30004	1.952	173	218	310	235	Tr 235x6	38	45	11	215	433,7	97
409	4.008	45	STX40004	2.577	180	225	350	270	Tr 270x6	44	50	10	260	572,6	130
522	5.114	45	STX50004	3.388	195	240	400	305	Tr 305x6	50	60	10	295	730,6	184