

SPREAD CYLINDERS

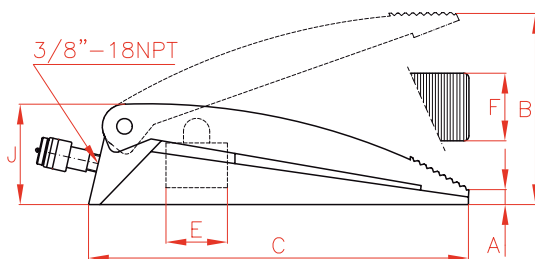


Type	<b>CY</b>
Capacity	<b>0,8 - 1 Tn</b>
Max. pressure	<b>700 bar</b>

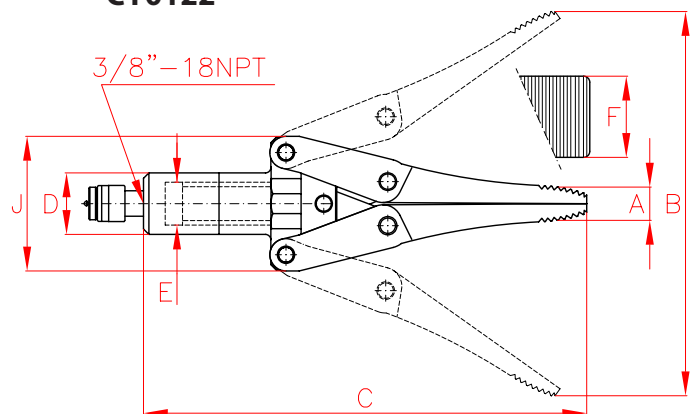


- ✓ CY series spreaders are used for many tasks in confined access situations.
- ✓ CY0109G is used for very confined situations and CY0122 is used for greater spreading distance.
- ✓ CY0109G and CY0122 models are supplied with AZ3140 high flow female couplers.
- ✓ Also available CY0109 and CY0122P fitted with AZ3240 low flow female coupler.

**CY0109G**



**CY0122**



Capacity		Stroke	Model	Oil Cap.	Area	A	B	C	D	E	F	J	Weight
Tn	kN	mm	LARZEP	cm <sup>3</sup>	cm <sup>2</sup>	mm	mm	mm	mm	mm	mm	mm	kg
1	10	75	<b>CY0109G</b>	10	7	15	90	168	-	29	55	55	2
0,8	8	189	<b>CY0122</b>	63	11,3	31	220	382	50	38	50	124	6