

AIR SERVICE JACKS

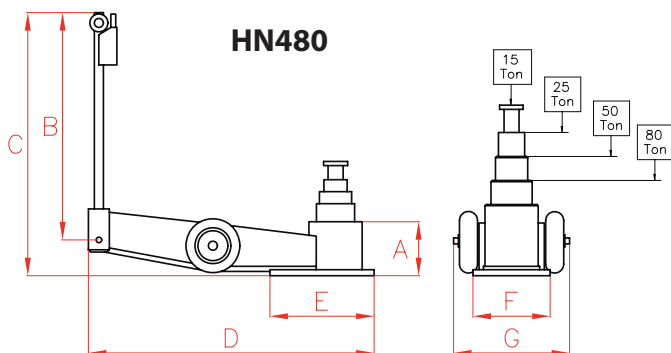
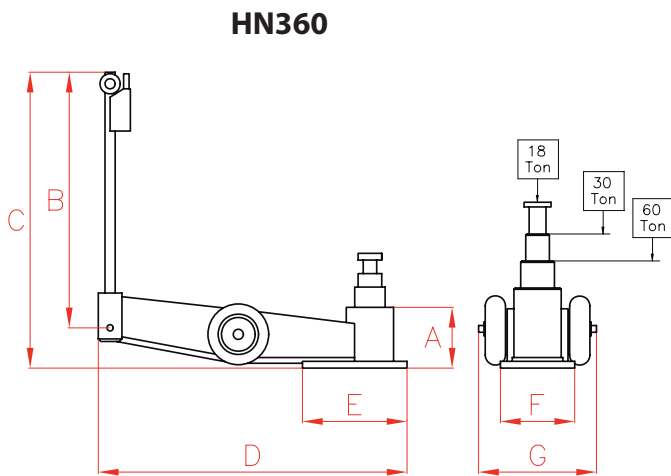
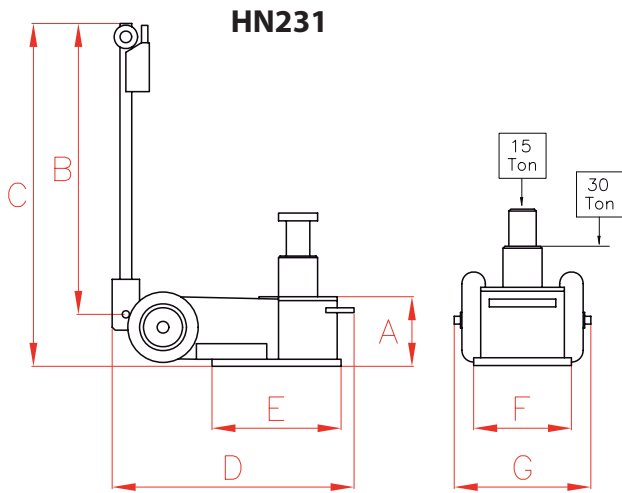


- ✓ From 30 to 80 Tn.
- ✓ Telescopic models with two and three stages.
- ✓ Operated by an air/hydraulic pump. Air pressure required: 8 to 12 bar.
- ✓ Ram return is automatic. Constant and controlled speed under load, can be increased without load.
- ✓ Check valves guarantee load holding, even if an air or oil pipe is accidentally broken.
- ✓ Equipped with an overpressure safety valve as protection against overloading.
- ✓ Three-position handle can be lowered to place the jack under the load.
- ✓ A hardened serrated load saddle and extension pieces of 70 and 120 mm are supplied as standard.
- ✓ Easy to operate, with the control at the end of handle.

AIR SERVICE JACKS



Type	HN
Capacity	30 - 80 Tn
Max. pressure	8 - 12 bar



Easy to operate, with the controls at the end of the handle.



Extension pieces of 70 and 120 mm are supplied as standard.

Capacity	Stroke	Model	A	B	C	D	E	F	G	Weight
Tn	mm	LARZEP	mm	mm	mm	mm	mm	mm	mm	kg
15/30	88+83	HN231	150	1.315	1.400	525	270	206	300	39
18/30/60	91+72+74	HN360	180	1.310	1.395	980	320	240	350	70
15/25/50/80	66+56+68+60	HN480	180	1.310	1.395	980	320	240	350	78