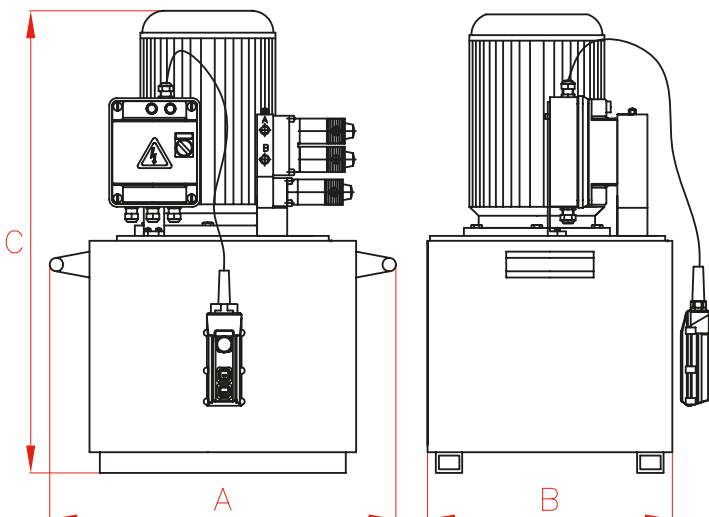


HYDRAULIC ELECTRIC PUMPS (SOLENOID VALVE)



- ✔ Remote pendant controlled solenoid valves with up, down and emergency stop button.
- ✔ Internal safety valve set at 700 bar to prevent overpressure.
- ✔ External adjustable pressure relief valve.
- ✔ For use with single acting or double acting cylinders for heavy lifting or production applications.
- ✔ Supplied with a 3 metre cable with remote pendant.
- ✔ Options: roll bars, heat exchanger, pressure gauge (glycerine or digital), wheel kit, pedal and push button remote motor control.

NOTE: Pressure gauge is not included.



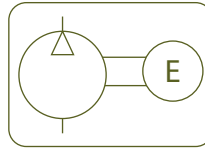
| Capacity | A | B | C |
|----------|-----|-----|-----|
| l | mm | mm | mm |
| 5 | 370 | 230 | 500 |
| 8,5 | 390 | 310 | 525 |
| 12,5 | 410 | 390 | 550 |
| 25 | 470 | 360 | 670 |
| 50 | 540 | 415 | 750 |
| 100 | 830 | 500 | 840 |



PUMP
Accessories



P.96



HYDRAULIC POWERPACKS



Type

HBE

Capacity

5 - 100 litres

Max. pressure

700 bar

| 50-60 Hz 3 phase | | | | | | | | |
|------------------|-----------------|----------------|---------|---------|-----------|---------|-------|--------|
| Tank | Flow at 700 bar | Flow at 50 bar | 230 V | | 380V/415V | | Power | Weight |
| l | l/min | l/min | S/A | D/A | S/A | D/A | kW | kg |
| 5 | 0,36 | 4,00 | HBE7262 | HBE7272 | HBE7264 | HBE7274 | 0,75 | 27 |
| 8,5 | 0,54 | 5,90 | HBE3362 | HBE3372 | HBE3364 | HBE3374 | 1,10 | 35 |
| 12,5 | 0,54 | 5,90 | HBE3462 | HBE3472 | HBE3464 | HBE3474 | 1,10 | 43 |
| 12,5 | 0,82 | 8,64 | HBE4462 | HBE4472 | HBE4464 | HBE4474 | 1,10 | 45 |
| 25 | 1,64 | 14,00 | HBE5562 | HBE5572 | HBE5564 | HBE5574 | 2,20 | 83 |
| 25 | 3,28 | 11,77 | HBE6562 | HBE6572 | HBE6564 | HBE6574 | 5,56 | 95 |
| 50 | 1,64 | 14,00 | HBE5662 | HBE5672 | HBE5664 | HBE5674 | 2,20 | 135 |
| 50 | 3,28 | 11,77 | HBE6662 | HBE6672 | HBE6664 | HBE6674 | 5,50 | 165 |
| 100 | 3,28 | 11,77 | HBE6762 | HBE6772 | HBE6764 | HBE6774 | 5,50 | 245 |

| 50 Hz Single Phase | | | | | | | | |
|--------------------|-----------------|----------------|---------|---------|---------|---------|-------|--------|
| Tank | Flow at 700 bar | Flow at 50 bar | 115V | | 230 V | | Power | Weight |
| l | l/min | l/min | S/A | D/A | S/A | D/A | kW | kg |
| 5 | 0,36 | 4,00 | HBE7265 | HBE7275 | HBE7261 | HBE7271 | 0,75 | 35 |
| 8,5 | 0,54 | 5,90 | HBE3365 | HBE3375 | HBE3361 | HBE3371 | 1,10 | 44 |
| 12,5 | 0,54 | 5,90 | HBE3465 | HBE3475 | HBE3461 | HBE3471 | 1,10 | 52 |
| 12,5 | 0,82 | 8,64 | HBE4465 | HBE4475 | HBE4461 | HBE4471 | 1,50 | 64 |

| 60 Hz Single Phase | | | | | | | | |
|--------------------|-----------------|----------------|---------|---------|---------|---------|-------|--------|
| Tank | Flow at 700 bar | Flow at 50 bar | 115V | | 230 V | | Power | Weight |
| l | l/min | l/min | S/A | D/A | S/A | D/A | kW | kg |
| 5 | 0,36 | 4,00 | HBE7266 | HBE7276 | HBE7263 | HBE7273 | 0,75 | 35 |
| 8,5 | 0,54 | 5,90 | HBE3366 | HBE3376 | HBE3363 | HBE3373 | 1,10 | 44 |
| 12,5 | 0,54 | 5,90 | HBE3466 | HBE3476 | HBE3463 | HBE3473 | 1,10 | 52 |
| 12,5 | 0,82 | 8,64 | HBE4466 | HBE4476 | HBE4463 | HBE4473 | 1,50 | 64 |