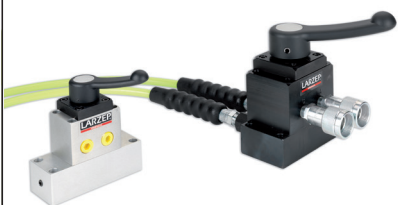


## DIRECTIONAL CONTROL VALVES



Type

**AZ8 - AZ9**

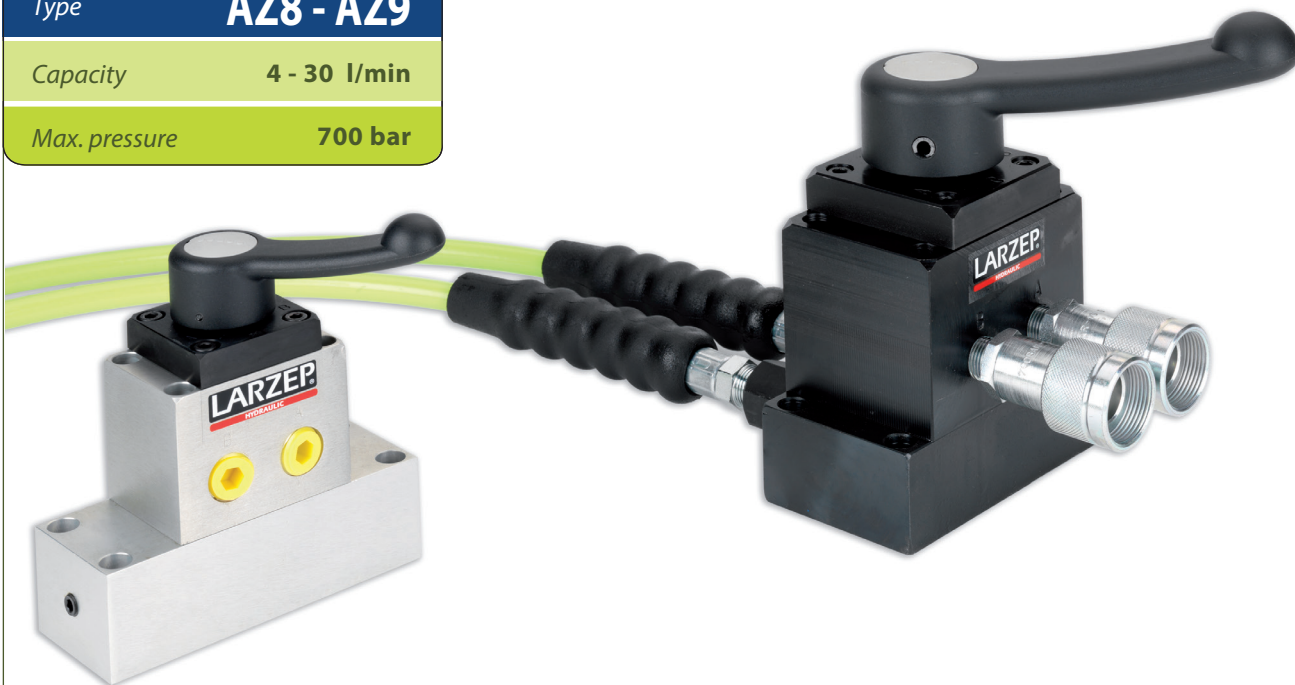
Capacity

4 - 30 l/min

Max. pressure

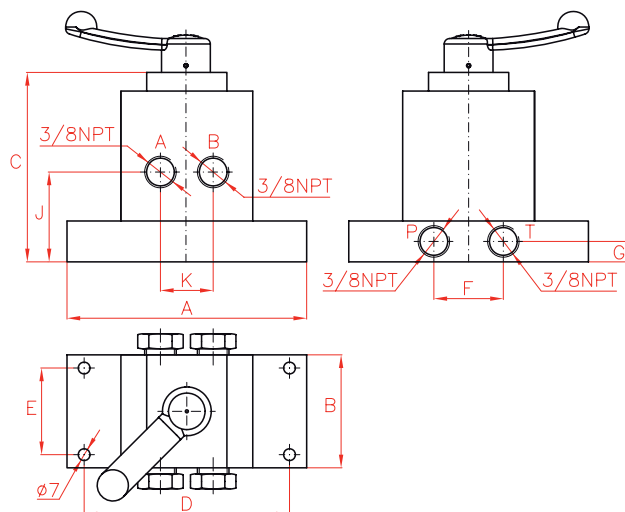
700 bar

## DIRECTIONAL CONTROL VALVES



AZ8 - AZ9 ACCESSORIES

- ✓ 3- or 4- ways directional control valves for single and double acting cylinders.
- ✓ Manually operated, without spring to centre.
- ✓ Suitable for remote operation.
- ✓ Possibility to select open or closed centre.



Symbol	Flow l/min	Model LARZEP	Operation Remote	Central Position	A mm	B mm	C mm	D mm	E mm	F mm	G mm	J mm	K mm
	4	<b>AZ8300</b>	Single act.	Open Centre	128	50	107	113	36,0	86	20	60	-
	30	<b>AZ9300</b>	Single act.	Open Centre	128	70	127	113	50,8	54	25	63	-
	4	<b>AZ8301</b>	Single act.	Closed Centre	128	50	107	113	36,0	86	20	60	-
	30	<b>AZ9301</b>	Single act.	Closed Centre	128	70	127	113	50,8	54	25	63	-
	4	<b>AZ8500</b>	Double act.	Open Centre	128	50	107	113	36,0	86	20	60	30
	30	<b>AZ9500</b>	Double act.	Open Centre	128	70	127	113	50,8	54	25	63	38
	4	<b>AZ8501</b>	Double act.	Closed Centre	128	50	107	113	36,0	86	20	60	30
	30	<b>AZ9501</b>	Double act.	Closed Centre	128	70	127	113	50,8	54	25	63	38

