

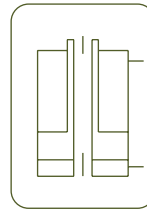
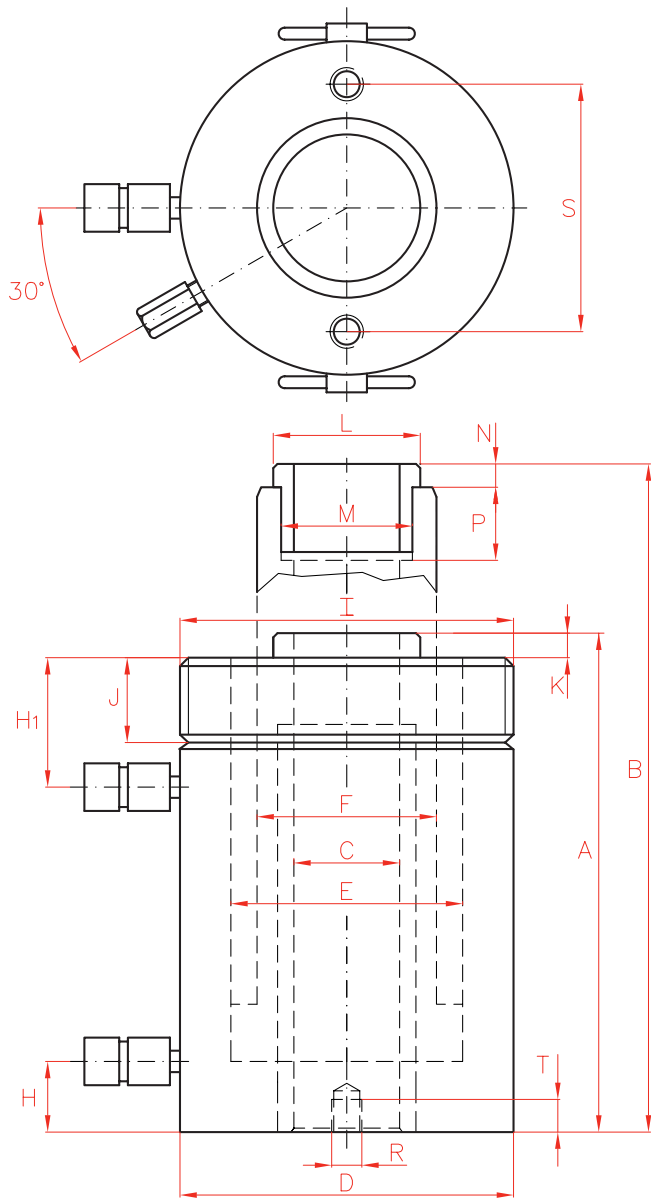
## DOUBLE ACTING HOLLOW PISTON CYLINDERS



- ✓ Capacity from 30 to 150 Tn, stroke up to 250 mm.
- ✓ For push and pull operations: Tensioning cables and bolts, pulling sleeves and bearings.
- ✓ Collar thread, piston end thread and base holes for easy fixing.
- ✓ Safety valve to prevent accidental over-pressure.
- ✓ Hollow plain saddle as standard. Optional solid or threaded saddles available.

Capacity	Stroke	Model	Capacity (kN)		Oil Cap.	A	B	C	D	
			Push	Pull						
Tn	mm	LARZEP			cm <sup>3</sup>	mm	mm	mm	mm	
30	150	DH03015	302	173	660	300	450	33	120	
	250	DH03025	302	173	1.100	400	650	33	120	
60	80	DH06008	578	356	674	249	329	56	165	
	150	DH06015	578	356	1.263	319	469	56	165	
	250	DH06025	578	356	2.105	419	669	56	165	
100	38	DH10004	1.018	647	564	197	235	81	220	
	76	DH10008	1.018	647	1.128	255	331	81	220	
	150	DH10015	1.018	647	2.226	335	485	81	220	
	250	DH10025	1.018	647	3.709	465	715	81	220	
150	200	DH15020	1.407	566	4.096	375	575	81	250	





**DOUBLE ACTING HOLLOW CYLINDERS**



Type	<b>DH</b>
Capacity	30 - 150 Tn
Stroke	38 - 250 mm
Max. pressure	700 bar

**DAH**  
Aluminium Double Acting  
Hollow Piston Cylinders



P.70



	E	F	H	H1	I	J	K	L	M	N	P	R	S	T	Area	Weight	Model
	mm	mm	mm	mm	UN	mm	mm	mm	UN	mm	mm	UN	mm	mm	cm <sup>2</sup>	kg	LARZEP
	90	70	27	61	4 1/2"-12	42	4	55	1 13/16"-16	9	22	3/8"-16	92,2	17	44	22	<b>DH03015</b>
	90	70	27	61	4 1/2"-12	42	4	55	1 13/16"-16	9	22	3/8"-16	92,2	17	44	28	<b>DH03025</b>
	125	95	31	66	6 1/4"-12	48	5	80	2 3/4"-16	12	22	1/2"-13	130,3	14	84	35	<b>DH06008</b>
	125	95	31	66	6 1/4"-12	48	5	80	2 3/4"-16	12	22	1/2"-13	130,3	14	84	42	<b>DH06015</b>
	125	95	31	66	6 1/4"-12	48	5	80	2 3/4"-16	12	22	1/2"-13	130,3	14	84	53	<b>DH06025</b>
	170	130	37	60	-	-	5	116	4"-16	13	25	5/8"-11	177,8	19	148	48	<b>DH10004</b>
	170	130	37	80	8 3/8"-12	60	5	116	4"-16	13	25	5/8"-11	177,8	19	148	60	<b>DH10008</b>
	170	130	37	80	8 3/8"-12	60	5	116	4"-16	13	25	5/8"-11	177,8	19	148	76	<b>DH10015</b>
	170	130	37	80	8 3/8"-12	60	5	116	4"-16	13	25	5/8"-11	177,8	19	148	102	<b>DH10025</b>
	190	160	37	60	-	-	10	135	4 1/4"-12	20	40	-	-	-	205	116	<b>DH15020</b>